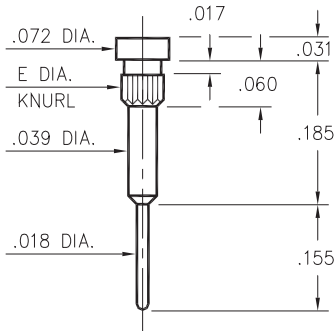


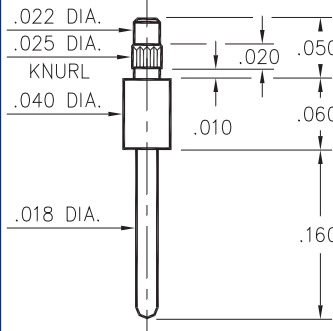
**1067**



Basic Part Number	Knurl Dia. E	Mounting Hole
1067-1	.058	.055
1067-2	.045	.042

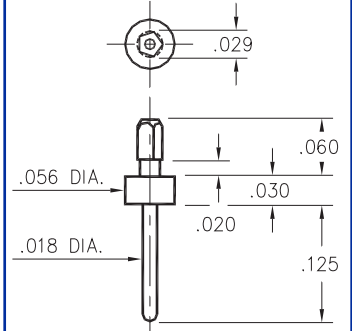
**1067-X-00-XX-00-00-03-0**  
Press-fit in .042/.055 mounting hole

**3158**



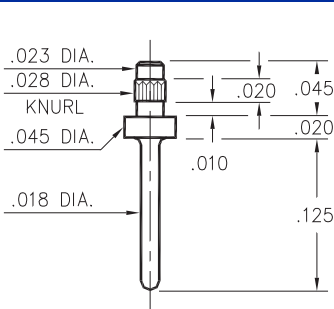
**3158-0-00-XX-00-00-03-0**  
Press-fit in .023 mounting hole

**9000**



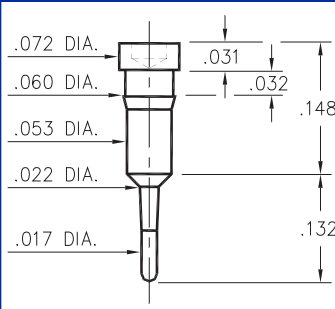
**9000-0-00-XX-00-00-03-0**  
Pentagonal press-fit in .025 plated thru hole

**3157**



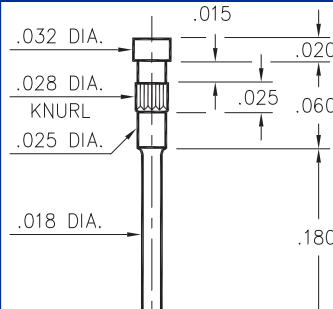
**3157-0-00-XX-00-00-03-0**  
Press-fit in .026 mounting hole

**0915**



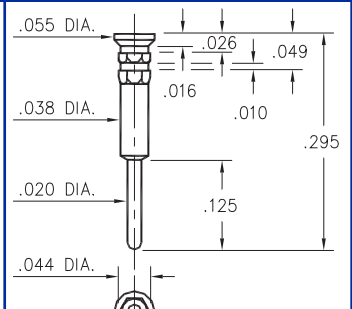
**0915-0-00-XX-00-00-03-0**  
Press-fit in .057 mounting hole

**3154**



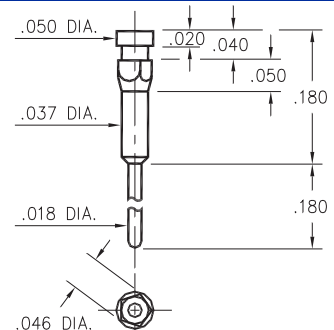
**3154-0-00-XX-00-00-03-0**  
Press-fit in .026 mounting hole  
Pin material is Ph Br 544 (B2)

**0542**



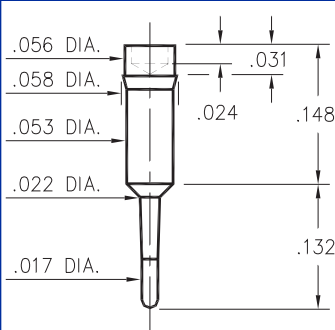
**0542-0-00-XX-00-00-03-0**  
Hex press-fit in .039 plated thru hole

**0522**



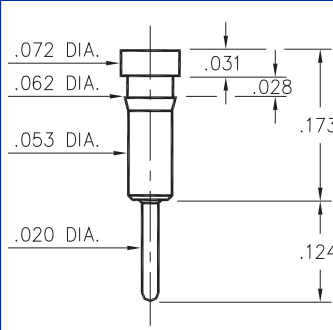
**0522-0-00-XX-00-00-03-0**  
Pentagonal press-fit in .042 plated thru hole

**0952**



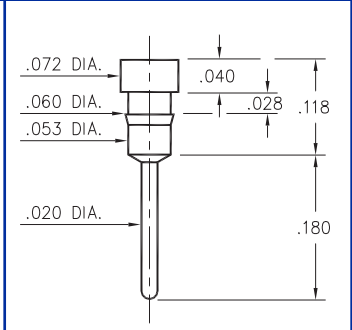
**0952-0-00-XX-00-00-03-0**  
Press-fit in .056 mounting hole

**0257**



**0257-0-00-XX-00-00-03-0**  
Press-fit in .059 mounting hole

**8940**



**8940-0-00-XX-00-00-03-0**  
Press-fit in .057 mounting hole

**SPECIFICATIONS**

**PIN MATERIAL:**  
Brass Alloy 360, 1/2 Hard  
(Except where noted)

**DIMENSION IN INCHES**  
**TOLERANCES ON:**  
LENGTHS: ±.005  
DIAMETERS: ±.002  
ANGLES: ± 2°

**ORDER CODE: XXXX - X - 00 - XX - 00 - 00 - 03 - 0**

**BASIC PART #**

**SPECIFY PIN FINISH:**

- 01 200µ" TIN/LEAD OVER NICKEL
- ◇ 80 200µ" TIN OVER NICKEL (RoHS)
- ◇ 15 10µ" GOLD OVER NICKEL (RoHS)
- ◇ 21 20µ" GOLD OVER NICKEL (RoHS)
- ◇ 34 50µ" GOLD OVER NICKEL (RoHS)

